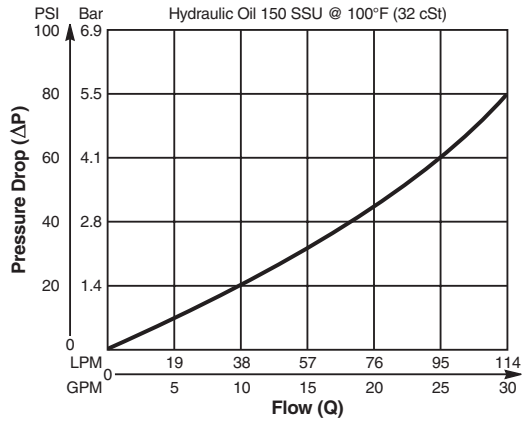


Valve/Cavity Compatibility

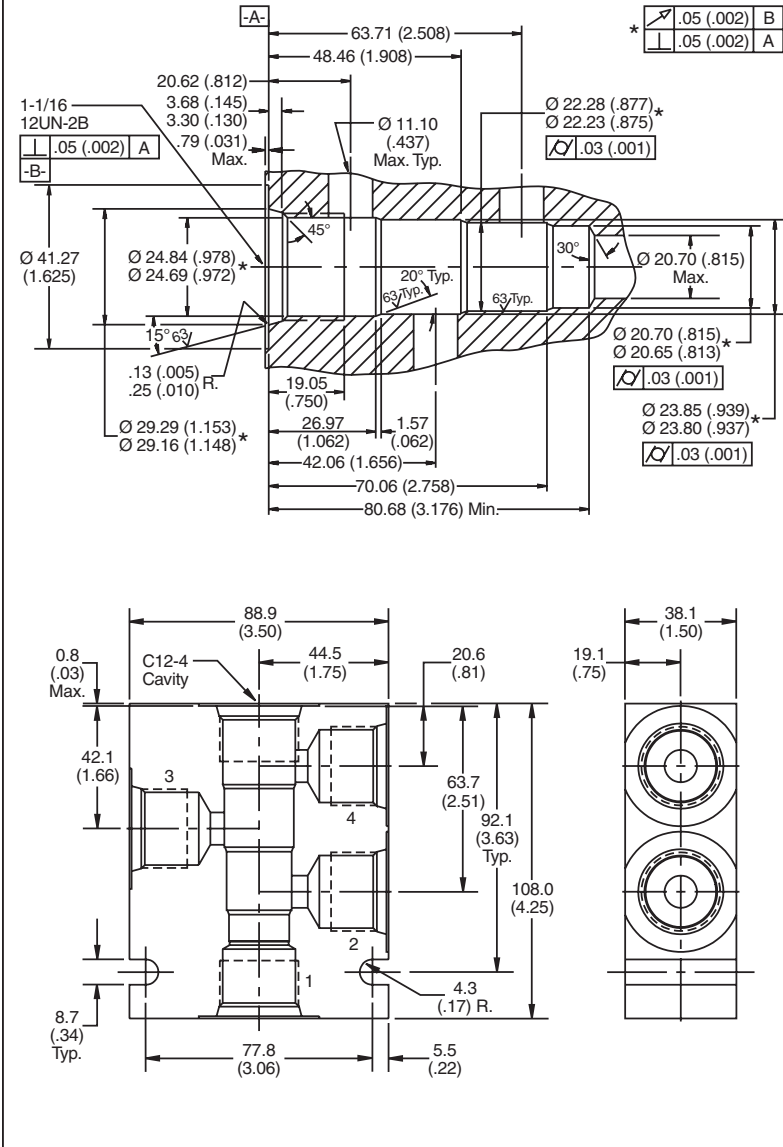
For additional information see Technical Tips on pages BC1-BC2.

CAVITY	VALVE				
	Winner's Circle	Parker	Waterman	FPS	CEC
Winner's Circle	X	X	X		
Parker	X	X	X		
Waterman	X	X	X		
FPS					
CEC					X

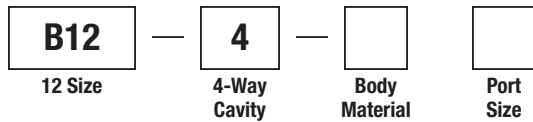
Performance Curve
Pressure Drop vs. Flow



Dimensions Millimeters (Inches)



Ordering Information



Code	Body Material
Omit	Steel
A	Aluminum

Code	Port Size
12T	SAE - 12

Form Tool: Rougher NFT12-4R
 Finisher NFT12-4F
Weight: 3.3 kg (7.3 lbs.)

- CV**
- Check Valves
- SH**
- Shuttle Valves
- LM**
- Load/Motor Controls
- FC**
- Flow Controls
- PC**
- Pressure Controls
- LE**
- Logic Elements
- DC**
- Directional Controls
- MV**
- Manual Valves
- SV**
- Solenoid Valves
- PV**
- Proportional Valves
- CE**
- Coils & Electronics
- CB**
- Carpak Bodies
- BC**
- Bodies & Cavities
- TD**
- Technical Data